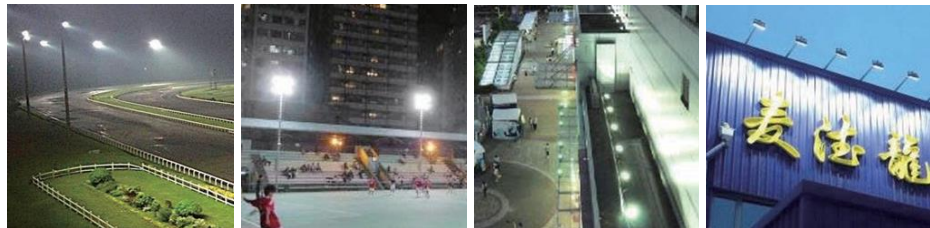




DELTA LED FLOOD LIGHT



EIS[®]

Easy Interchangeable System

Our patent "Plug and Use" Removable Power Supply design makes maintenance simple and easy. It only takes 5 minutes to replace a driver unit without hiring any certified electrician. Greatly reduce maintenance cost and truly enhance the lifetime of the light at minimal cost.



Corrosion Resistant

By adopting dedicated processing treatments on the heat sink and other parts, these luminaires have excellent anti-corrosive and UV-resistance.

IP65

Robust, Protective Design

A robust, protective design gives this luminaire an IP of 65 and IK of 09 and the ability to handle harsh environments.



Optimal Optical Design

The unique and scientific combination design of lens and diffuser used gives good quality and quantity of light, where you need it. With options of beam angles to choose from, these luminaires are ideal for a number of applications.



Quality Core Component

Excellent luminaire design to the core: starting with the LED packages themselves. These luminaires only use high quality COB packages from CITELED – chipsets that have great quality and long life as backed by LM-80 and TM-21 reports. Quality inside that shines on the outside.

SERIES

Full Flood Light Family

Together, these flood lights form a full family of products, thereby offering a full suite of luminaires suitable for a variety of both indoor and outdoor applications.



SONARAY[®]

DELTA LED FLOOD LIGHT

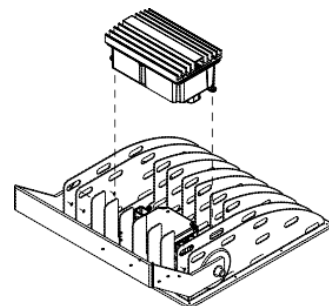


Turn off the power before disassembly and operate by the professional !
Power input : AC 100-277V , 50/60Hz
Power output : 36V 3.6A
Consumption : 150W
IP65 Ta:45°C Tc:90°C

CE X

EIS[®] Easy Interchangeable System

Our patent "Plug and Use" Removable Power Supply design makes maintenance simple and easy. It only takes 5 minutes to replace a driver unit without hiring any certified electrician. Greatly reduce maintenance cost and truly enhance the lifetime of the light at minimal cost.

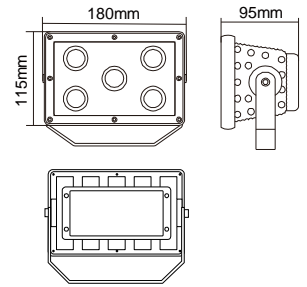


DELTA LED FLOOD LIGHT 30W

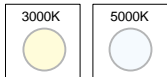


Specifications

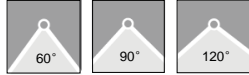
Material: Aluminum
 Housing Color: Light Grey/ Bronze
 Driver: Built-in
 Input Voltage: AC100-277V~50/60Hz
 Power Factor: ≥ 0.9
 Operating Temperature: $-25^{\circ}\text{C}\sim+45^{\circ}\text{C}$, $-13^{\circ}\text{F}\sim+113^{\circ}\text{F}$
 Lifetime: $\geq 50,000\text{hrs}$



Color Temperature

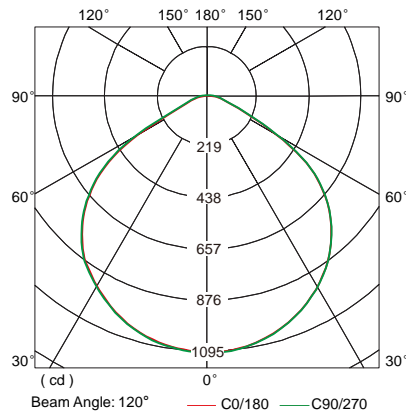


Beam Angle



Model No.	Power (W)	Luminous Flux (lm)	Luminous Efficacy (lm/W)	Color Temperature (K)	CRI (Ra)	Beam Angle (°)	Weight (kg/lb)
FL-3030	30	2670	89	5000	≥ 80	120	1.2/2.65

Light Distribution Curve



Illuminance Distribution

H(m)	E(lx)	D(cm)
1	1092	276
2	273	553
3	121	829
4	68	1106
5	44	1382
6	33	1659

Beam Angle: 120°

www.sonarayled.com

© 2015 DASCOM (HOLDINGS), LTD. All rights reserved.
 All company and product names are trademarks or registered trademarks of their respective owner. Specifications are subject to change without notice.

Version 1.6. Edited 2015.06

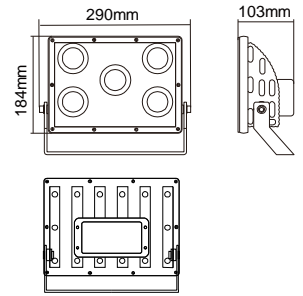


DELTA LED FLOOD LIGHT 40W

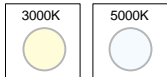


Specifications

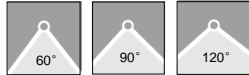
Material: Aluminum
 Housing Color: Light Grey/ Bronze
 Driver: Built-in
 Input Voltage: AC100-277V~50/60Hz
 Power Factor: ≥ 0.9
 Operating Temperature: $-25^{\circ}\text{C}\sim+45^{\circ}\text{C}$, $-13^{\circ}\text{F}\sim+113^{\circ}\text{F}$
 Lifetime: $\geq 50,000$ hrs



Color Temperature

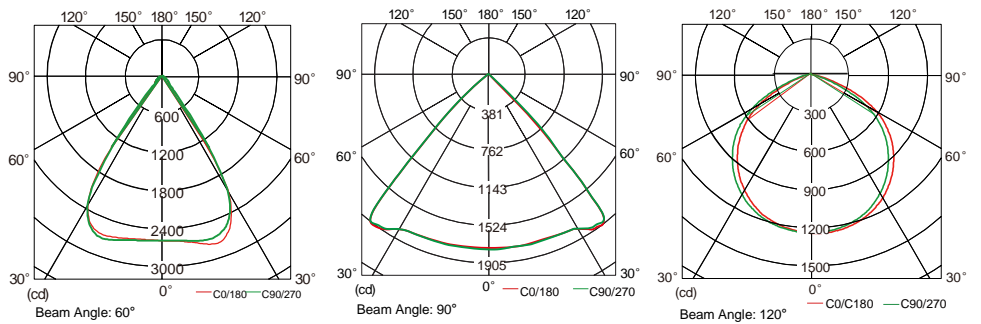


Beam Angle



Model No.	Power (W)	Luminous Flux (lm)	Luminous Efficacy (lm/W)	Color Temperature (K)	CRI (Ra)	Beam Angle (°)	Weight (kg/lb)
FL-3040	40	3200	80	5000	≥ 80	60	2.4/5.29
FL-3040	40	3320	83	5000	≥ 80	90	2.4/5.29
FL-3040	40	3440	86	5000	≥ 80	120	2.4/5.29

Light Distribution Curve



Illuminance Distribution

Beam Angle: 60°			Beam Angle: 90°			Beam Angle: 120°		
H(m)	E(lx)	D(cm)	H(m)	E(lx)	D(cm)	H(m)	E(lx)	D(cm)
1	2581	135	1	1784	192	1	1231	302
2	645	270	2	446	384	2	308	604
3	287	405	3	198	576	3	137	906
4	161	540	4	112	767	4	77	1208
5	103	675	5	71	959	5	49	1510
6	72	810	6	50	1151	6	34	1812

www.sonarayled.com

© 2015 DASCOM (HOLDINGS), LTD. All rights reserved.
 All company and product names are trademarks or registered trademarks of their respective owner. Specifications are subject to change without notice.

Version 1.6. Edited 2015.06

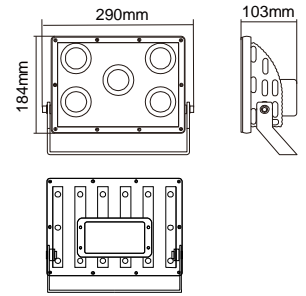


DELTA LED FLOOD LIGHT 60W

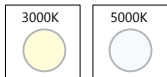


Specifications

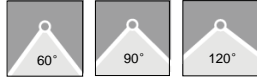
Material: Aluminum
 Housing Color: Light Grey/ Bronze
 Driver: Built-in
 Input Voltage: AC100-277V~50/60Hz
 Power Factor: ≥ 0.9
 Operating Temperature: $-25^{\circ}\text{C}\sim+45^{\circ}\text{C}$, $-13^{\circ}\text{F}\sim+113^{\circ}\text{F}$
 Lifetime: $\geq 50,000$ hrs



Color Temperature

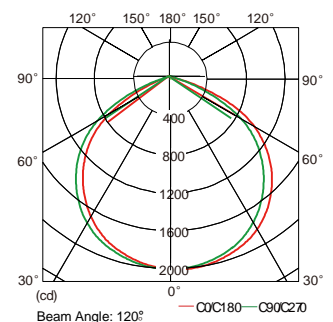
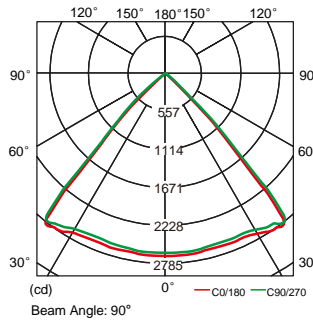
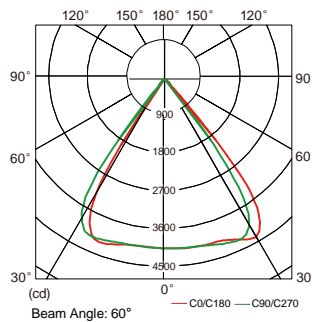


Beam Angle



Model No.	Power (W)	Luminous Flux (lm)	Luminous Efficacy (lm/W)	Color Temperature (K)	CRI (Ra)	Beam Angle (°)	Weight (kg/lb)
FL-3060	60	5100	85	5000	≥ 80	60	2.48/5.47
FL-3060	60	4920	82	5000	≥ 80	90	2.48/5.47
FL-3060	60	5100	85	5000	≥ 80	120	2.48/5.47

Light Distribution Curve



Illuminance Distribution

Beam Angle: 60°

1	3757	150
2	939	299
3	418	449
4	235	598
5	150	747
6	104	897
H(m)	E(lx)	D(cm)

Beam Angle: 90°

1	2682	193
2	671	387
3	298	580
4	168	773
5	107	996
6	75	1160
H(m)	E(lx)	D(cm)

Beam Angle: 120°

1	1928	300
2	482	599
3	214	898
4	121	1198
5	77	1497
6	54	1797
H(m)	E(lx)	D(cm)

www.sonarayled.com

© 2015 DASCOM (HOLDINGS), LTD. All rights reserved.
 All company and product names are trademarks or registered trademarks of their respective owner. Specifications are subject to change without notice.

Version 1.6. Edited 2015.06



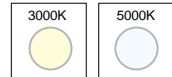
DELTA LED FLOOD LIGHT 100W



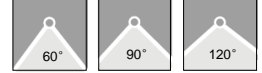
Specifications

Material: Aluminum
 Housing Color: Light Grey/ Bronze
 Driver: Built-in
 Input Voltage: AC100-277V~50/60Hz
 Power Factor: ≥ 0.9
 Operating Temperature: -25°C~+45°C, -13°F~+113°F
 Lifetime: ≥ 50,000hrs

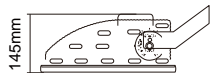
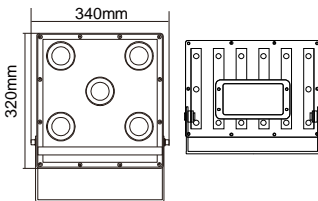
Color Temperature



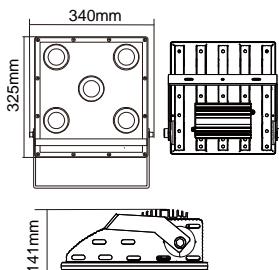
Beam Angle



IP65 IK09



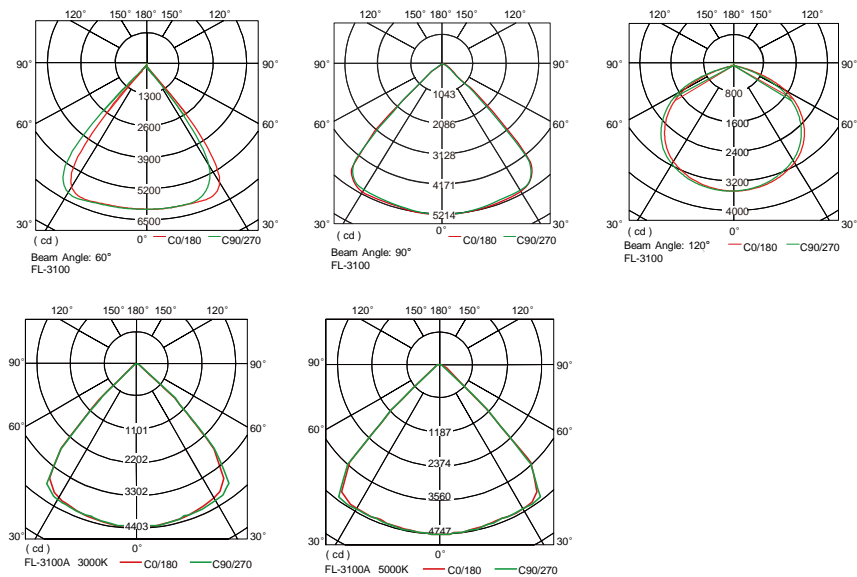
With EIS[®]



Model No.	Power (W)	Luminous Flux (lm)	Luminous Efficacy (lm/W)	Color Temperature (K)	CRI (Ra)	Beam Angle (°)	Driver	Weight (kg/lb)
FL-3100	100	9900	99	5000	≥80	60	Standard	5.3/11.68
FL-3100	100	9100	91	5000	≥80	90	Standard	5.3/11.68
FL-3100	100	9900	99	5000	≥80	120	Standard	5.3/11.68
FL-3100A	100	8300	83	3000	≥80	90	With EIS [®]	5.4/11.9
FL-3100A	100	9400	94	5000	≥80	90	With EIS [®]	5.4/11.9

*Note: EIS[®] Easy Interchangeable System

Light Distribution Curve



Illuminance Distribution

Beam Angle: 60° FL-3100			Beam Angle: 90° FL-3100			Beam Angle: 120° FL-3100		
H(m)	E(lx)	D(cm)	H(m)	E(lx)	D(cm)	H(m)	E(lx)	D(cm)
2	1496	329	2	1304	382	2	897	614
4	374	657	4	326	764	4	224	1228
6	166	986	6	145	1147	6	100	1842
8	93	1314	8	81	1529	8	56	2456
10	60	1643	10	52	1911	10	36	3070
12	42	1972	12	36	2293	12	25	3684

www.sonarayled.com

© 2015 DASCOM (HOLDINGS), LTD. All rights reserved.
 All company and product names are trademarks or registered trademarks of their respective owner. Specifications are subject to change without notice.

Version 1.6. Edited 2015.06



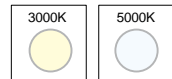
DELTA LED FLOOD LIGHT 130W



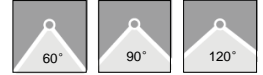
Specifications

Material: Aluminum
 Housing Color: Light Grey/ Bronze
 Driver: Built-in
 Input Voltage: AC100-277V~50/60Hz
 Power Factor: ≥ 0.9
 Operating Temperature: $-25^{\circ}\text{C}\sim+45^{\circ}\text{C}$, $-13^{\circ}\text{F}\sim+113^{\circ}\text{F}$
 Lifetime: $\geq 50,000\text{hrs}$

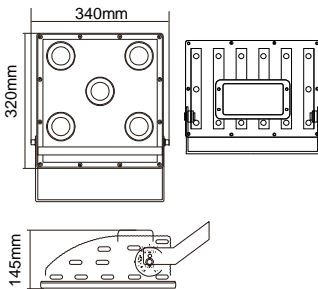
Color Temperature



Beam Angle



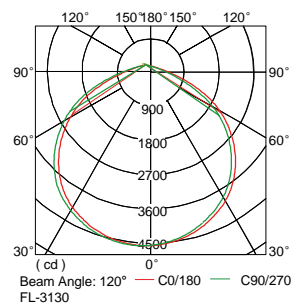
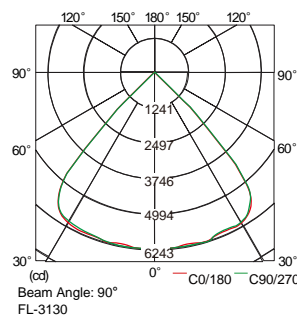
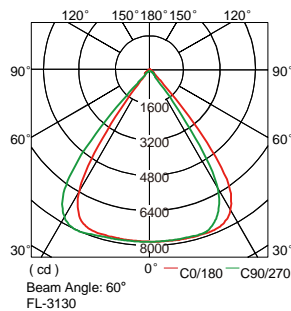
IP65 IK09



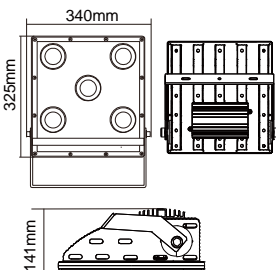
Model No.	Power (W)	Luminous Flux (lm)	Luminous Efficacy (lm/W)	Color Temperature (K)	CRI (Ra)	Beam Angle (°)	Driver	Weight (kg/lb)
FL-3130	130	11310	87	5000	≥ 80	60	Standard	5.3/11.68
FL-3130	130	10920	84	5000	≥ 80	90	Standard	5.3/11.68
FL-3130	130	12350	95	5000	≥ 80	120	Standard	5.3/11.68
FL-3130A	130	11310	87	5000	≥ 80	60	With EIS [®]	5.4/11.9
FL-3130A	130	10920	84	5000	≥ 80	90	With EIS [®]	5.4/11.9
FL-3130A	130	12350	95	5000	≥ 80	120	With EIS [®]	5.4/11.9

*Note: EIS[®] Easy Interchangeable System

Light Distribution Curve



Illuminance Distribution



H(m)	E(lx)	D(cm)
2	1864	318
4	466	637
6	207	955
8	117	1274
10	75	1592
12	52	1911

H(m)	E(lx)	D(cm)
2	1561	377
4	390	754
6	173	1131
8	98	1507
10	62	1884
12	43	2261

H(m)	E(lx)	D(cm)
2	1073	605
4	268	1211
6	119	1816
8	67	2421
10	43	3027
12	30	3632

www.sonarayled.com

© 2015 DASCOM (HOLDINGS), LTD. All rights reserved.
 All company and product names are trademarks or registered trademarks of their respective owner. Specifications are subject to change without notice.

Version 1.6. Edited 2015.06

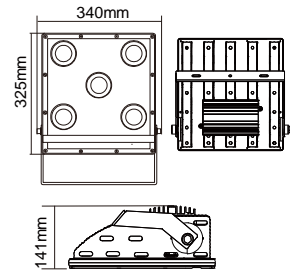


DELTA LED FLOOD LIGHT 150W

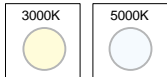


Specifications

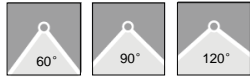
Material: Aluminum
 Housing Color: Light Grey/ Bronze
 Driver: Built-in
 Input Voltage: AC100-277V~50/60Hz
 Power Factor: ≥ 0.9
 Operating Temperature: -25°C ~ $+45^{\circ}\text{C}$, -13°F ~ $+113^{\circ}\text{F}$
 Lifetime: $\geq 50,000$ hrs



Color Temperature



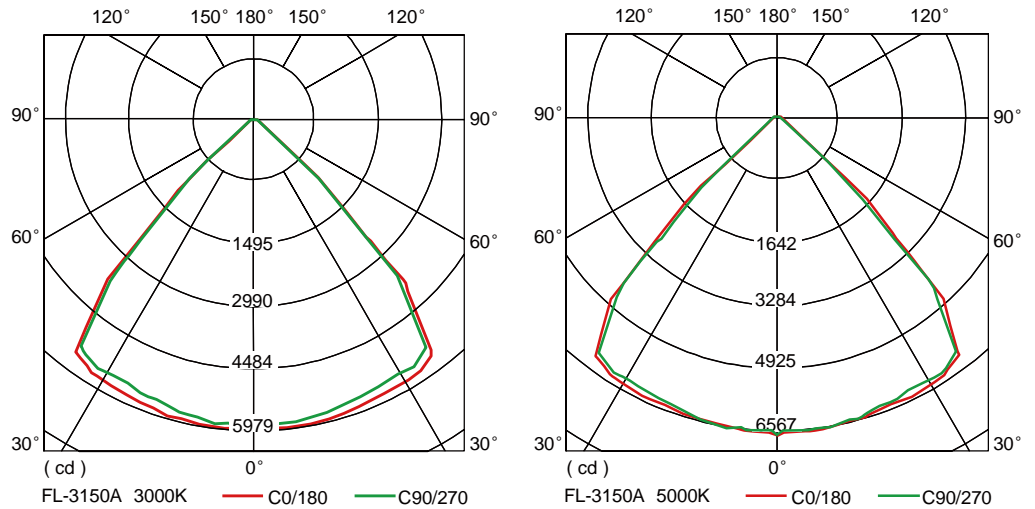
Beam Angle



Model No.	Power (W)	Luminous Flux (lm)	Luminous Efficacy (lm/W)	Color Temperature (K)	CRI (Ra)	Beam Angle (°)	Driver	Weight (kg/lb)
FL-3150A	150	11400	76	3000	≥ 80	90	With EIS ^o	5.4/11.9
FL-3150A	150	12900	86	5000	≥ 80	90	With EIS ^o	5.4/11.9

*Note: EIS^o Easy Interchangeable System

Light Distribution Curve



www.sonarayed.com

© 2015 DASCOM (HOLDINGS), LTD. All rights reserved.
 All company and product names are trademarks or registered trademarks of their respective owner. Specifications are subject to change without notice.

Version 1.6. Edited 2015.06

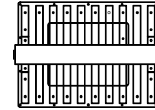
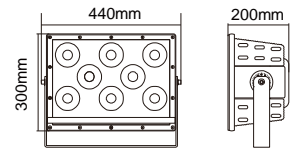


DELTA LED FLOOD LIGHT 250W



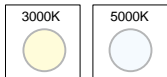
Specifications

Material: Aluminum
 Housing Color: Light Grey/ Bronze
 Driver: Built-in
 Input Voltage: AC100-277V~50/60Hz
 Power Factor: ≥ 0.9
 Operating Temperature: $-25^{\circ}\text{C}\sim+45^{\circ}\text{C}$, $-13^{\circ}\text{F}\sim+113^{\circ}\text{F}$
 Lifetime: $\geq 50,000$ hrs

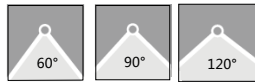


IP65 IK09

Color Temperature

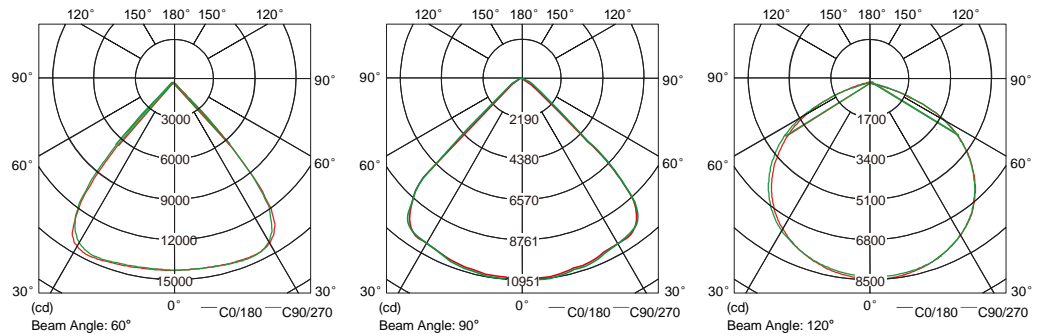


Beam Angle



Model No.	Power (W)	Luminous Flux (lm)	Luminous Efficacy (lm/W)	Color Temperature (K)	CRI (Ra)	Beam Angle (°)	Weight (kg/lb)
FL-3250	250	21750	87	5000	≥ 80	60	9/19.84
FL-3250	250	21000	84	5000	≥ 80	90	9/19.84
FL-3250	250	23250	93	5000	≥ 80	120	9/19.84

Light Distribution Curve



Illuminance Distribution

Beam Angle: 60°			Beam Angle: 90°			Beam Angle: 120°		
H(m)	E(lx)	D(cm)	H(m)	E(lx)	D(cm)	H(m)	E(lx)	D(cm)
2	3407	329	1	2738	420	2	2042	597
4	852	658	2	684	840	4	511	1194
6	379	987	3	304	1160	6	227	1790
8	213	1316	4	171	1680	8	128	2387
10	136	1644	5	110	2101	10	82	2984
12	95	1973	6	76	2521	12	57	3581

www.sonarayled.com

© 2015 DASCOM (HOLDINGS), LTD. All rights reserved.
 All company and product names are trademarks or registered trademarks of their respective owner. Specifications are subject to change without notice.

Version 1.6. Edited 2015.06

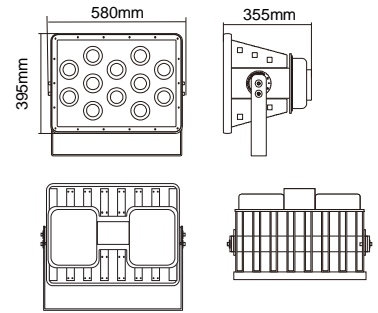


DELTA LED FLOOD LIGHT 520W

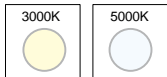


Specifications

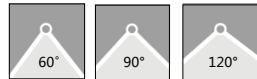
Material: Aluminum
 Housing Color: Light Grey/ Bronze
 Driver: Built-in
 Input Voltage: AC100-277V~50/60Hz
 Power Factor: ≥ 0.9
 Operating Temperature: -25°C ~ $+45^{\circ}\text{C}$, -13°F ~ $+113^{\circ}\text{F}$
 Lifetime: $\geq 50,000$ hrs



Color Temperature

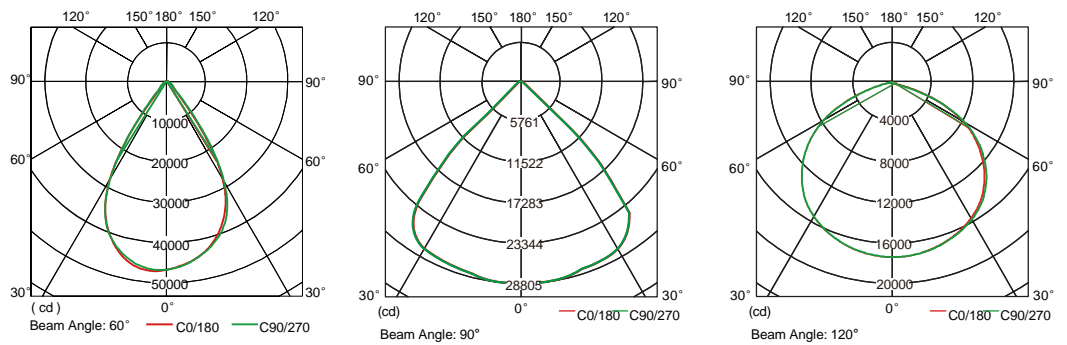


Beam Angle



Model No.	Power (W)	Luminous Flux (lm)	Luminous Efficacy (lm/W)	Color Temperature (K)	CRI (Ra)	Beam Angle (°)	Weight (kg/lb)
FL-3520	520	47320	91	5000	≥ 80	60	23/50.71
FL-3520	520	52000	100	5000	≥ 80	90	23/50.71
FL-3520	520	46800	90	5000	≥ 80	120	23/50.71

Light Distribution Curve



Illuminance Distribution

H(m)	E(lx)
1	46973
2	11743
3	5219
4	2936
5	1879
6	1305
7	959
8	734
9	580
10	470
11	388
12	326

H(m)	E(lx)
1	28805
2	7201
3	3201
4	1800
5	1152
6	800
7	588
8	450
9	356
10	288
11	238
12	200

H(m)	E(lx)
1	17018
2	4254
3	1891
4	1064
5	681
6	473
7	347
8	266
9	210
10	170
11	141
12	118

www.sonarayled.com

© 2015 DASCOM (HOLDINGS), LTD. All rights reserved.
 All company and product names are trademarks or registered trademarks of their respective owner. Specifications are subject to change without notice.

Version 1.6. Edited 2015.06

